

# RETECH Aktiengesellschaft



Swiss Textile Machinery Pre-ITMA Press Conference, Lucerne 29-30 March 2019



# RETECH – expert at drawing your fibres to perfection



# RETECH ITMA - Innovations

- Yarn Tension Sensors  
for extrusion processes  
in low cost applications
- New heated godet generation
- The „blue Line“: new temperature control and transmission system

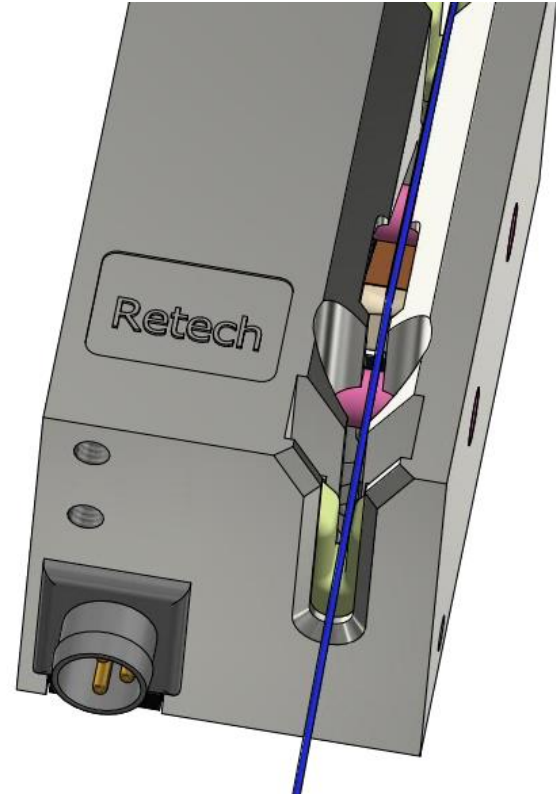
# Yarn Tension Sensors

- Yarn Tension Sensors  
for extrusion processes  
in low cost applications



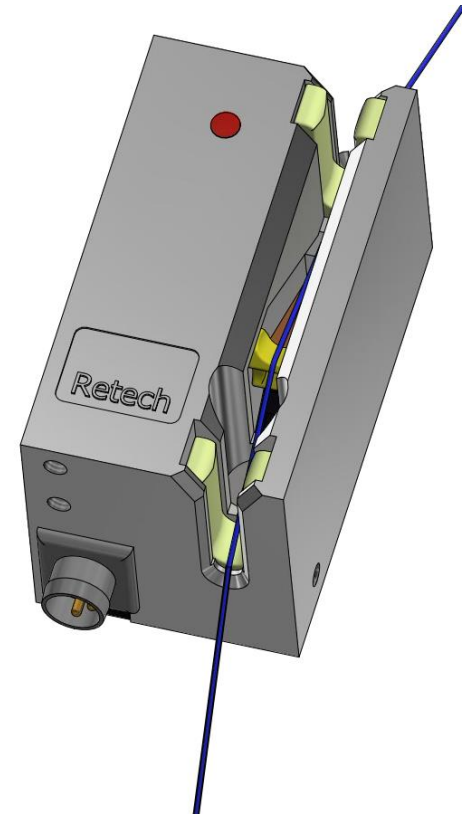
# Yarn Tension Sensors

- Yarn Tension Sensors  
    for extrusion processes
  - speed: 4000 m/min. +
  - yarn count: 3000 dtex +



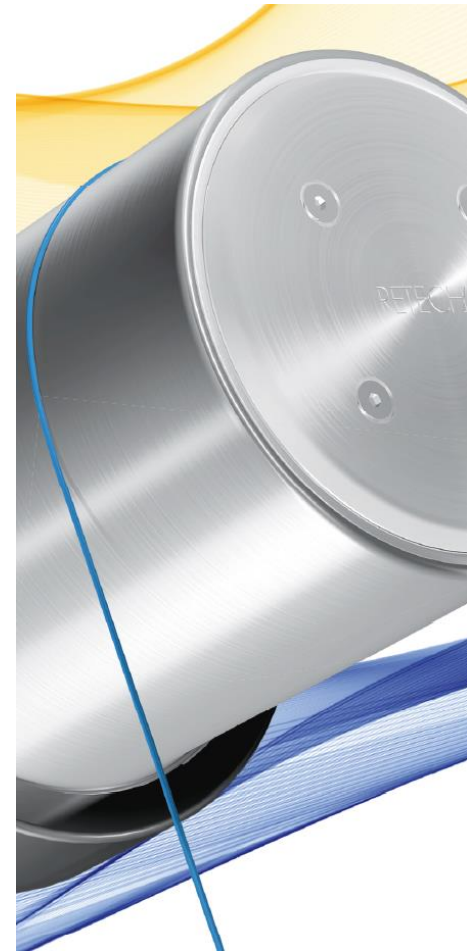
# Yarn Tension Sensors

- Yarn Tension Sensors  
in low cost applications
  - reliable and proven design
  - reduced to the MAX
  - in combination with OEM intelligence



# Heated Godets

- PSM Motor Technology
  - size 80:         $\varnothing$  100 – 127 mm
  - size 90:         $\varnothing$  160 mm
  - size 112:        $\varnothing$  190 – 250 mm
- Heating Technology
  - single zone
  - multi zone (1-6 zones)
- Transmission Technology
  - STS: stationary PT100 sensor
  - RTS: rotating PT100 sensor  
in combination with UTR transmitter



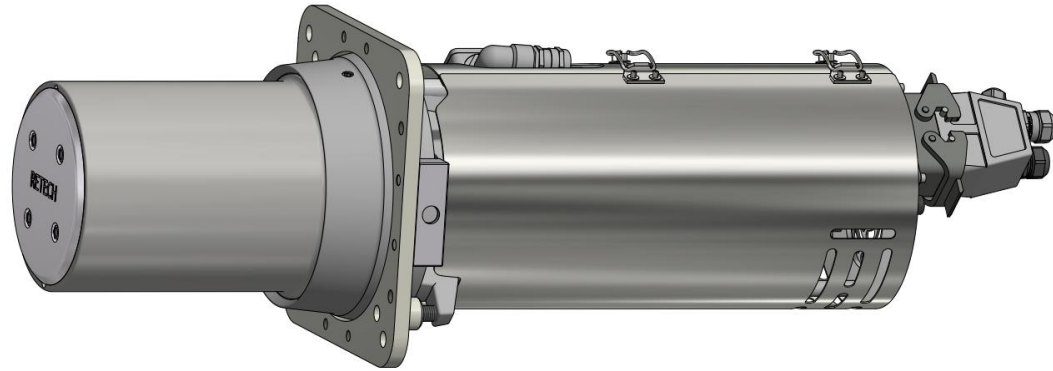
# Heated Godets – New Generation

## Godet Ø 160 mm

for high end applications  
with continuous

- speed up to 4500 m/min.
- temperature up to 250 °C

based on size 90 PSM motor with  
additional features



# Heated Godets – New Generation

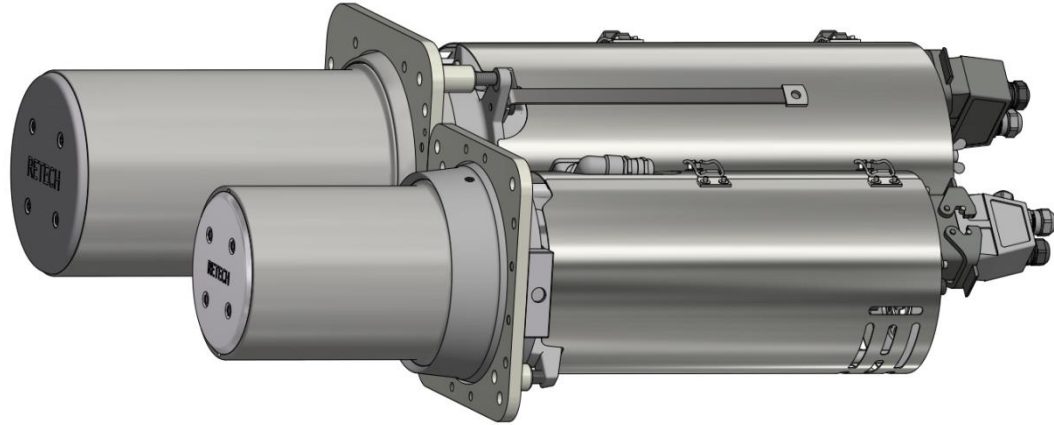
## Godet Ø 160 mm

for high end applications  
with continuous

- speed up to 4500 m/min.
- temperature up to 250 °C

based on size 90 PSM motor with  
additional features

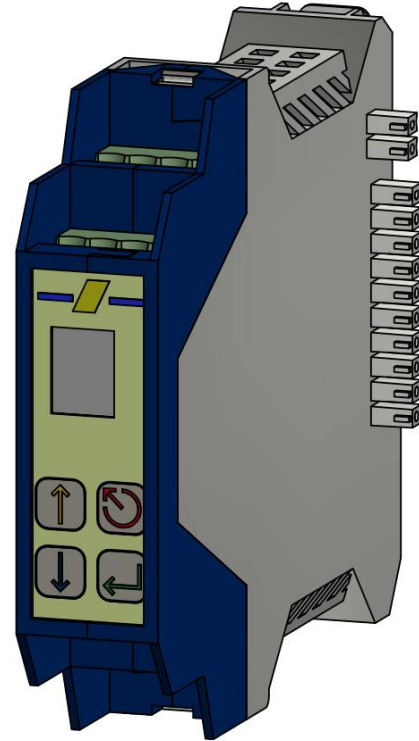
as the „small brother“ of the  
high performance godet series  
size 112: Ø 190 – 250 mm



# «Blue Line» Temperature Control Systems

## „Blue Line“ control system

- UCR-6 multi zone controller (1-6 zones)
- UCR-6P single zone controller (1-6 control loops)
- USC temperature converter (1-6 zones)



# «Blue Line» Temperature Control Systems

## „Blue Line“ control system

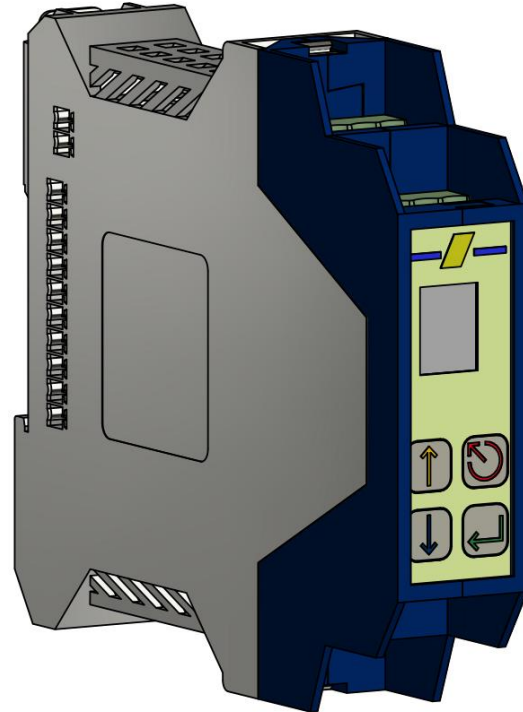
- UCR-6 multi zone controller (1-6 zones)
- UCR-6P single zone controller (1-6 control loops)
- USC temperature converter (1-6 zones)
- UTR-4A temperature transmitter (1-6 zones)



# «Blue Line» Temperature Control Systems

## Highlights

- UCR-6 / 6P
  - integrated LED display and operating panel
  - simple on site configuration
  - intelligent network loading
  - heating load distributed uniformly
  - synchronous phase control



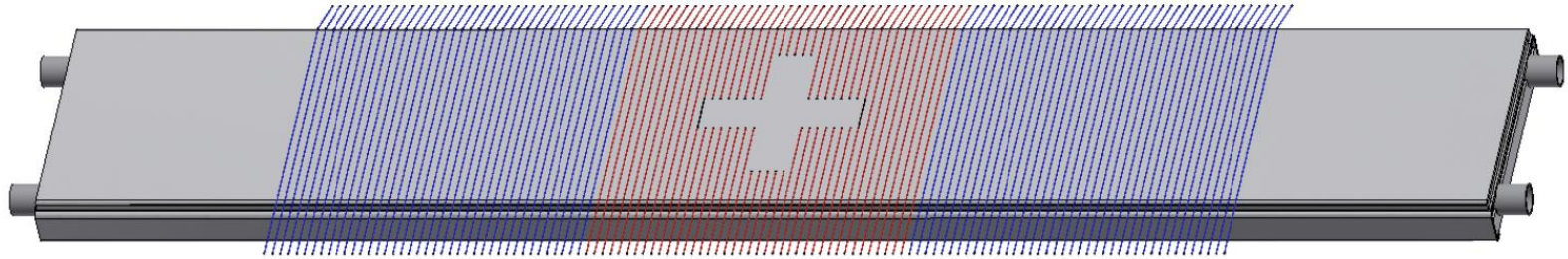
# «Blue Line» Temperature Control Systems

## Highlights

- UTR-4A temperature transmitter
  - excellent for harsh environment
  - completely sealed



# RETECH ITMA - Innovations



**Expert at monitoring your yarn tension  
and drawing your fibres to perfection**

**Visit us during ITMA in Hall 7 / booth B109**